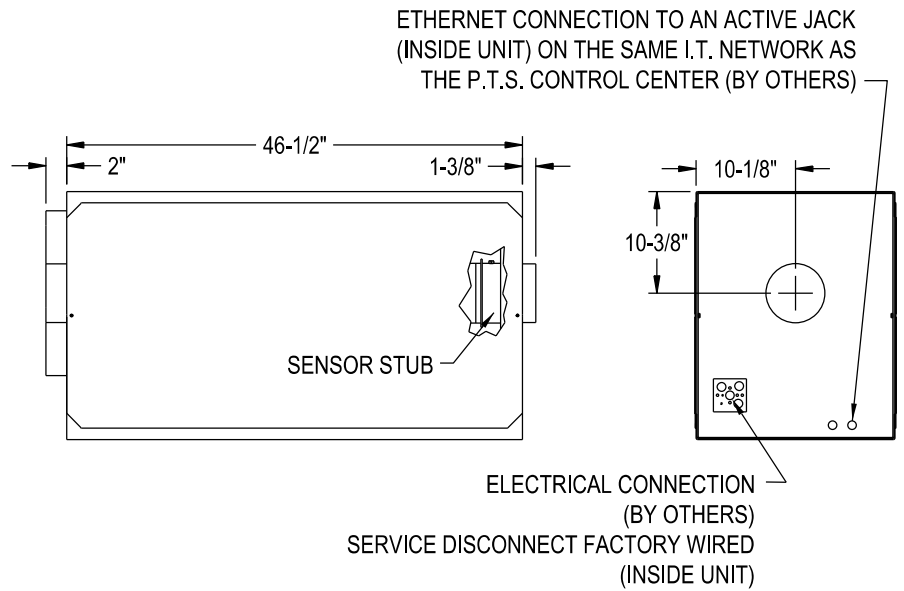


**MULTI PORT SIDE  
UNIT DIMENSIONS**

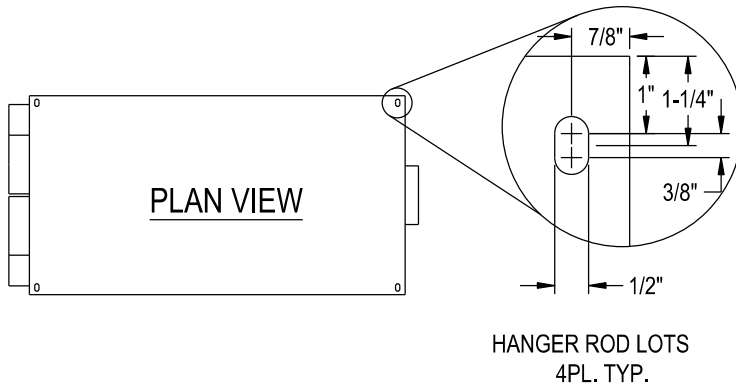


**SIDE VIEW  
UNIT DIMENSIONS**

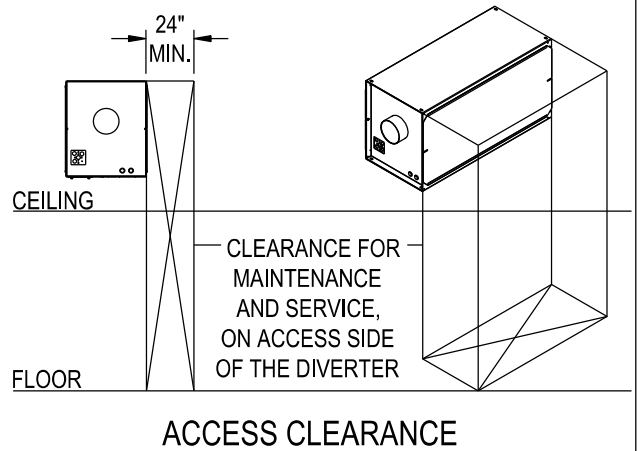
**SINGLE PORT SIDE  
UNIT DIMENSIONS**

**NOTES:**

1. MINIMUM OF 24" CLEARANCE ON ONE SIDE OF THE DIVERTER (FROM TOP OF THE DIVERTER TO THE FLOOR) IS REQUIRED FOR MAINTENANCE AND SERVICE ACCESS.
2. TWO 7/8" DIA. HOLES FOR COMMUNICATION CABLES, (PROVIDED BY OTHERS) ON SINGLE PORT SIDE. POWER INLET, ON SINGLE PORT SIDE.
3. DIVERTER REQUIRES 120 VOLT, 5 AMP DEDICATED CIRCUIT (PROVIDED BY OTHERS).
4. DIVERTER WEIGHT IS 155 LBS.



**HANGER ROD LOTS  
4PL. TYP.**



**ACCESS CLEARANCE**



1401 Tangier Drive  
Baltimore, Maryland 21220  
T 410.931.8800, F 410.931.4660  
800.296.PEVCO (7382), www.pevco.com

**6" PORT DIVERTER  
(ETHERNET COMMUNICATIONS)**

6" COMPUTERIZED PNEUMATIC TUBE SYSTEMS

SCALE	NONE	DATE
DRAWN	S.S.	01.31.23
REVISED	A.V.	03.24.26
	-	-
DRAWING NUMBER	-	REVISION 1