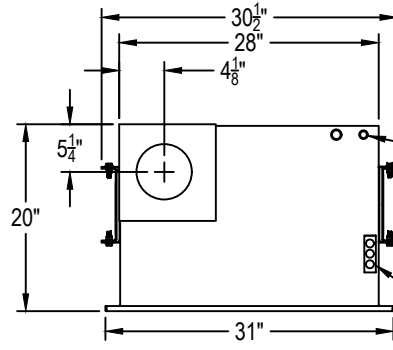


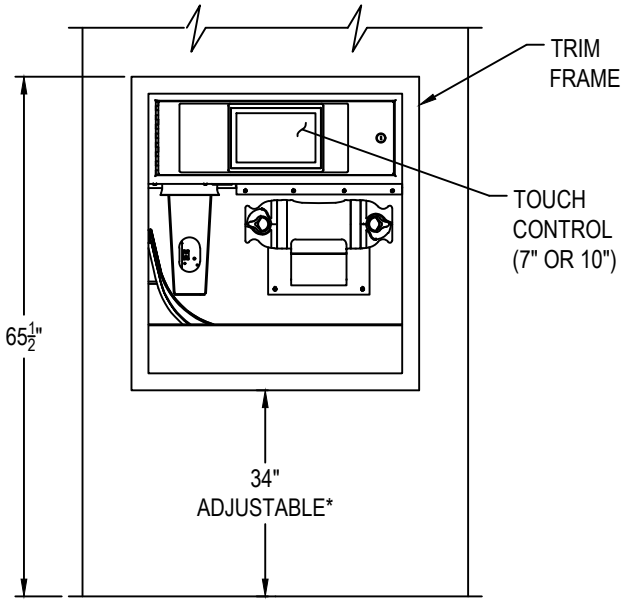
ROUGH OPENING REQ.



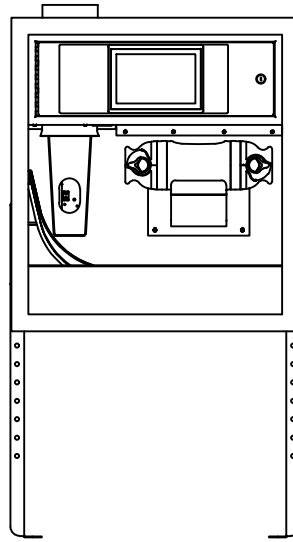
UNIT DIMENSIONS

ETHERNET CONNECTION,
SEE NOTE #2

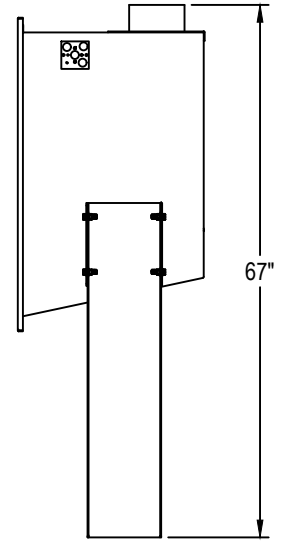
ELECTRICAL CONNECTION,
SEE NOTE #1



DRYWALL FRONT VIEW



FRONT VIEW



UNIT DIMENSIONS

1. STATION REQUIRES (1) 120 VOLT, 5 AMP CIRCUIT TO THE SERVICE DISCONNECT FACTORY WIRED INSIDE UNIT (SERVICE SUPPLIED & WIRED BY OTHERS).
2. STATION REQUIRES (1) ETHERNET CONNECTION TO THE FACTORY WIRED ETHERNET JACK, INSIDE UNIT (SERVICE SUPPLIED & WIRED BY OTHERS).
3. STATION IS FLOOR MOUNTED.
4. LEG BRACKETS ARE IN 2" INCREMENTS, RANGING FROM 1'-6" TO 3'-8". *VERIFY WITH OWNER ANY MILLWORK THAT MIGHT INTERFERE WITH STATION HEIGHT.
5. TOUCH CONTROL HEIGHT IS APPROXIMATELY 5'-0". STATION IS NOT SUBJECT TO A.D.A. REQUIREMENTS, SINCE IT IS NOT USED BY THE PUBLIC.
6. ROUGH OPENING IS 22" X 33" X 67". DO NOT ENCLOSE OR DRYWALL UNTIL STATION, TUBING, ETHERNET & ELECTRICAL CONNECTIONS ARE COMPLETED.
7. STATION WEIGHT IS 165 LBS.



1401 Tangier Drive
Baltimore, Maryland 21220
T 410.931.8800, F 410.931.4660
800.296.PEVCO (7382), WWW.PEVCO.COM

**WALL RECESSED HIGH CAPACITY
STANDARD STATION
(ETHERNET COMMUNICATIONS)**
6" COMPUTERIZED PNEUMATIC TUBE SYSTEMS

SCALE	NONE	DATE
DRAWN	S.S.	11.10.23
REVISED	-	-
	-	-
DRAWING NUMBER	-	REVISION 0