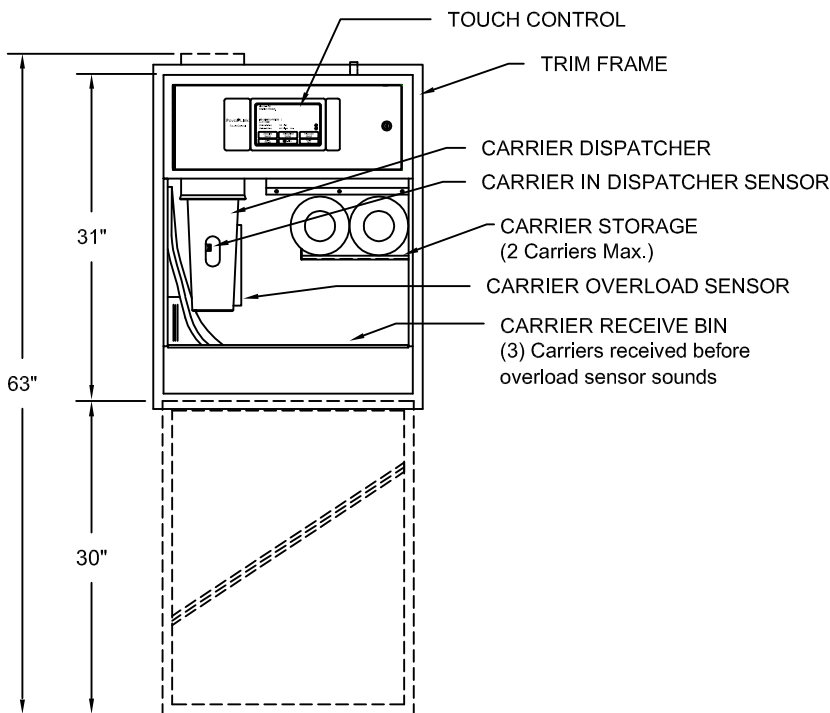


PLAN VIEW

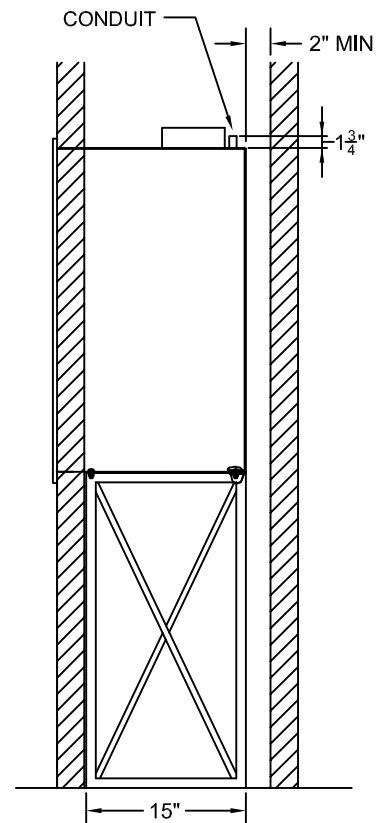
NOTES:

1. STATION REQUIRES 120 VOLT, 5 AMP DEDICATED CIRCUIT (PROVIDED BY OTHERS).
2. ONE (7/8") DIA HOLE ON TOP OF STATION FOR AN ETHERNET CONNECTION (PROVIDED BY OTHERS) AND ONE (7/8") CONDUIT LOCATED ON TOP OF STATION IS FOR THE ELECTRICAL CONNECTION (PROVIDED BY OTHERS).
3. STATION IS FLOOR MOUNTED.
4. CONTROL PANEL HEIGHT IS APPROXIMATELY 56" TO CENTER. **STATION IS NOT SUBJECT TO ADA REQUIREMENTS SINCE IT IS NOT USED BY THE PUBLIC.**
5. ROUGH OPENING IS 20" x 29" x 31" MINIMUM (AS SHOWN), HOWEVER, IT WILL BE LARGER IF A TUBE RISER(S) IS/ARE INCLUDED. DO NOT ENCLOSE OR DRYWALL UNTIL STATION, TUBING, ETHERNET AND ELECTRICAL CONNECTIONS ARE COMPLETED.
6. STATION WEIGHT IS 162 LBS.

ETHERNET CONNECTION TO AN ACTIVE JACK (INSIDE UNIT) ON THE SAME IT NETWORK AS THE PTS CONTROL CENTER (BY OTHERS)
 ELECTRICAL CONNECTION (BY OTHERS)
 SERVICE DISCONNECT FACTORY WIRED (INSIDE UNIT)



FRONT VIEW



SIDE VIEW



1401 Tangier Drive
 Baltimore, Maryland 21220
 T 410.931.8800, F 410.931.4660
 800.296.PEVCO (7382), www.pevco.com

**WALL RECESSED COMPACT STATION
 WITH SUPPORT BASE
 (Ethernet Communications)**

6" COMPUTERIZED PNEUMATIC TUBE SYSTEMS

SCALE	NONE	DATE
DRAWN	BK/SDW	05.24.13
REVISED	SDW	08.08.14
	-	-
DRAWING NUMBER	PEV200.36A	REVISION 1