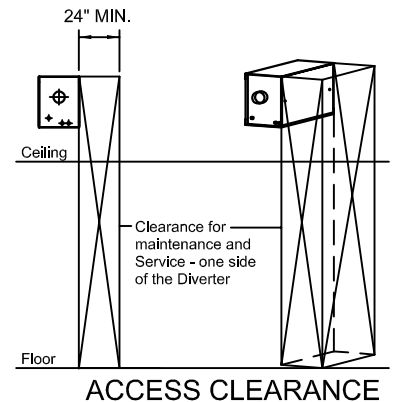
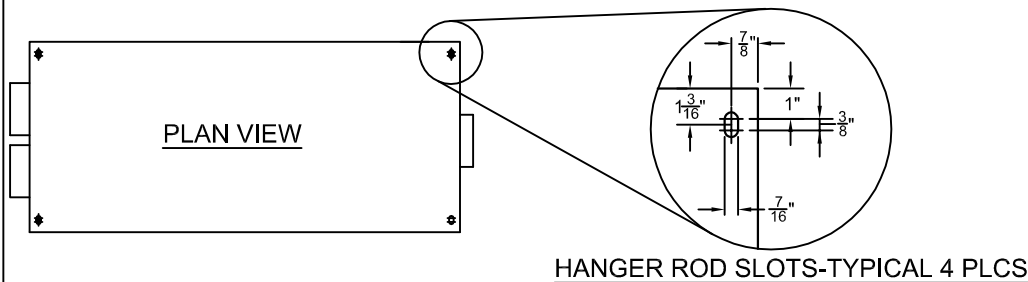


NOTES:

1. MINIMUM OF 24" CLEARANCE ON ONE SIDE OF THE DIVERTER (FROM TOP OF THE DIVERTER TO THE FLOOR) IS REQUIRED FOR MAINTENANCE AND SERVICE ACCESS .
2. TWO ($\frac{7}{8}$ " DIA HOLES ARE LOCATED ON THE 1-PORT SIDE FOR ETHERNET (PROVIDED BY OTHERS) AND ONE ($\frac{7}{8}$ " CONDUIT IS LOCATED ON THE 1-PORT SIDE FOR ELECTRICAL CONNECTION (PROVIDED BY OTHERS).
3. DIVERTER REQUIRES 120 VOLT, 5 AMP DEDICATED CIRCUIT (PROVIDED BY OTHERS).
4. DIVERTER WEIGHT IS 155 LBS.



1401 Tangier Drive
 Baltimore, Maryland 21220
 T 410.931.8800, F 410.931.4660
 800.296.PEVCO (7382), www.pevco.com

4-PORT DIVERTER
 (Ethernet Communications)

SCALE	NONE	DATE
DRAWN	SDW	02.13.13
REVISED	SDW	04.01.14
	SDW	08.08.14
DRAWING NUMBER	PEV221.2A	REVISION 2