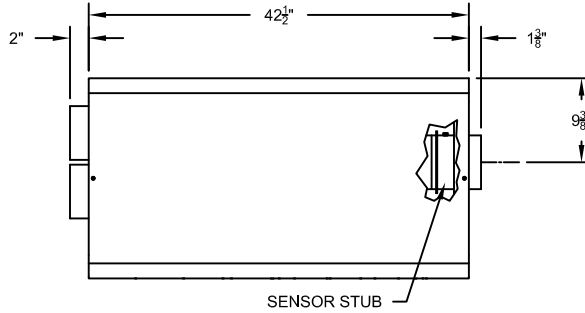
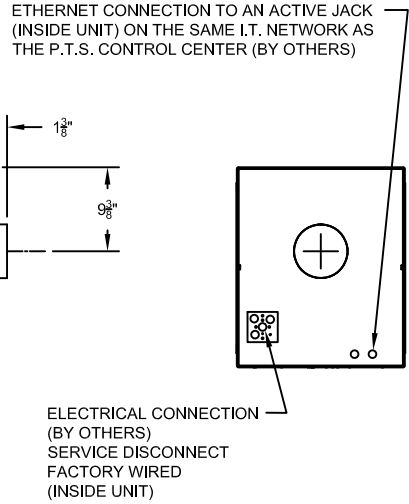


**MULTI PORT SIDE
UNIT DIMENSIONS**



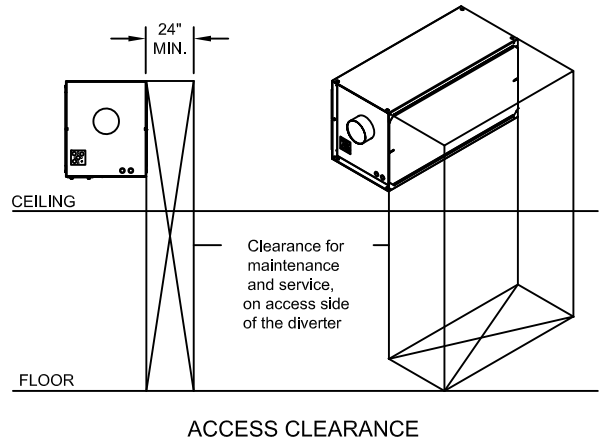
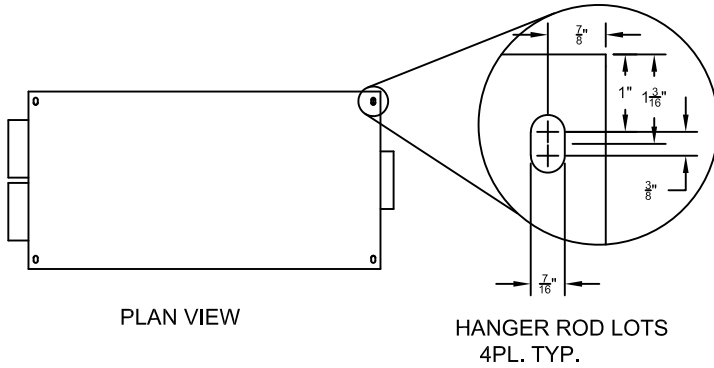
**SIDE VIEW
UNIT DIMENSIONS**



**SINGLE PORT SIDE
UNIT DIMENSIONS**

NOTES:

1. MINIMUM OF 24" CLEARANCE ON ONE SIDE OF THE DIVERTER (FROM TOP OF THE DIVERTER TO THE FLOOR) IS REQUIRED FOR MAINTENANCE AND SERVICE ACCESS.
2. TWO 7/8" DIA. HOLES FOR COMMUNICATION CABLES, (PROVIDED BY OTHERS) ON SINGLE PORT SIDE. POWER INLET, ON SINGLE PORT SIDE.
3. DIVERTER REQUIRES 120 VOLT, 5 AMP DEDICATED CIRCUIT (PROVIDED BY OTHERS).
4. DIVERTER WEIGHT IS 155 LBS.



1401 Tangier Drive
Baltimore, Maryland 21220
T 410.931.8800, F 410.931.4660
800.296.PEVCO (7382), www.pevco.com

**4 PORT DIVERTER
(Ethernet Communications)**

6" COMPUTERIZED PNEUMATIC TUBE SYSTEMS

SCALE	NONE	DATE
DRAWN	S.S.	01.31.23
REVISED	-	-
	-	-
DRAWING	-	REVISION 0