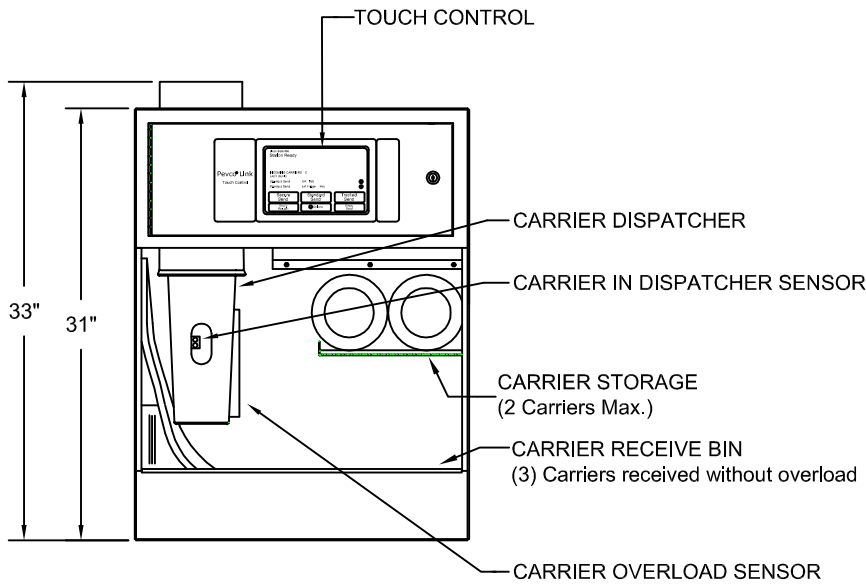


NOTES:

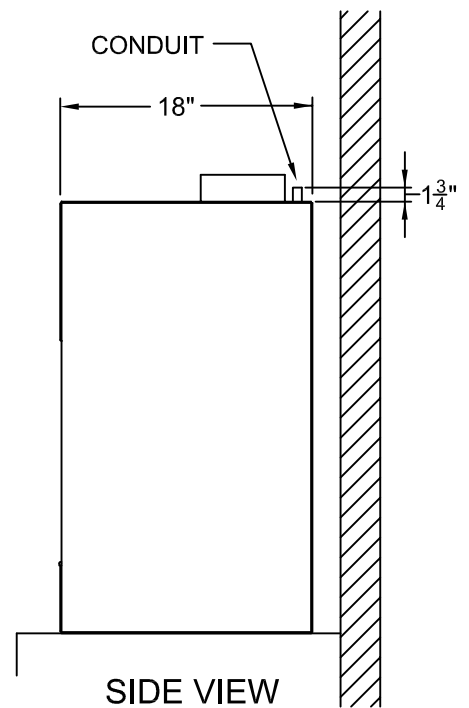
1. STATION REQUIRES 120 VOLT, 5 AMP DEDICATED CIRCUIT (PROVIDED BY OTHERS).
2. ONE (7/8") DIA HOLE LOCATED ON TOP OF STATION IS FOR AN ETHERNET (PROVIDED BY OTHERS) AND ONE (7/8") CONDUIT LOCATED ON TOP OF STATION IS FOR AN ELECTRICAL CONNECTION (PROVIDED BY OTHERS).
3. STATION IS DESIGNED TO SIT ON COUNTER TOP (BY OTHERS).
4. CONTROL PANEL HEIGHT IS APPROXIMATELY 56" TO CENTER.
STATION IS NOT SUBJECT TO ADA REQUIREMENTS SINCE IT IS NOT USED BY THE PUBLIC.
5. SPACE REQUIRED IS 20" x 24" x 33".
6. STATION WEIGHT IS 142 LBS.

ETHERNET CONNECTION TO AN ACTIVE JACK (INSIDE UNIT) ON THE SAME IT NETWORK AS THE PTS CONTROL CENTER (BY OTHERS)
ELECTRICAL CONNECTION (BY OTHERS)
SERVICE DISCONNECT FACTORY WIRED (INSIDE UNIT)

COUNTER (BY OTHERS)
PLAN VIEW



FRONT VIEW



SIDE VIEW



1401 Tangier Drive
Baltimore, Maryland 21220
T 410.931.8800, F 410.931.4660
800.296.PEVCO (7382), www.pevco.com

**COMPACT STATION
(Ethernet Communications)**

SCALE	NONE	DATE
DRAWN	BK/SDW	05.24.13
REVISED	-	-
	-	-
DRAWING NUMBER	PEV200.28A	REVISION 0